

Actual Size: 29 5/8" W x 52 3/4" L x 37.5" H
75.2475cm W x 133.985" L x 95.25" H

Seat Width: 22" (55.88cm)

Seat Length: 18" (45.72cm)

Shipping Size: 32x54x49

Shipping Weight: 310 lbs. (140.614kg)

Net Weight: 210 lbs. (95.2544kg)

Water Capacity: 65 gal. (246.052L)

Occupied: 30-50 gal. (113.562L- 189.271L)



Product Features

Jetting System

1. Hydro Massage System

- Hydro Massage Pump 8.1AMP 900W
- Hydro massage intensity dial air control
- In-line water heater 6AMP 650W
- 18 jets
- Push control

Faucet

Five-Piece Fast Fill Faucet Set

- Up to 18 GPM @ 60 PSI at ideal in home plumbing conditions
- Two (2) 5' Supply lines with 3/4" connectors
- Pull out, hand held, chrome plated hand shower with 5 ft. retractable stainless steel braided hose

Included Features

1. Acrylic Tub Shell:

- Gloss White Finish
- Fiberglass Gelcoat Reinforced

2. Stainless Steel Frame with Adjustable Leveling Legs
3. Inward swing acrylic S-shape door
4. Two (2) front and one (1) end reversible, removable access panel
5. Stainless steel chrome finish U-shape deck & wall mount grab bar
6. Extension panel, filler for 60" alcove installations
7. Stainless Steel Brushed Finish Towel Bar

Optional Features

Heated Seat and Backrest 4AMP 47

Electrical Requirements:

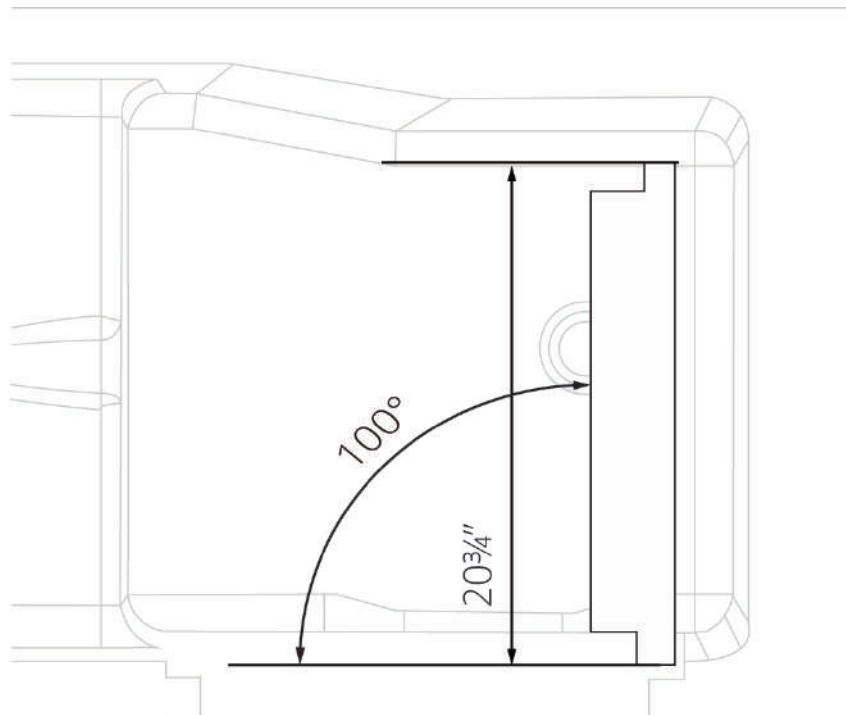
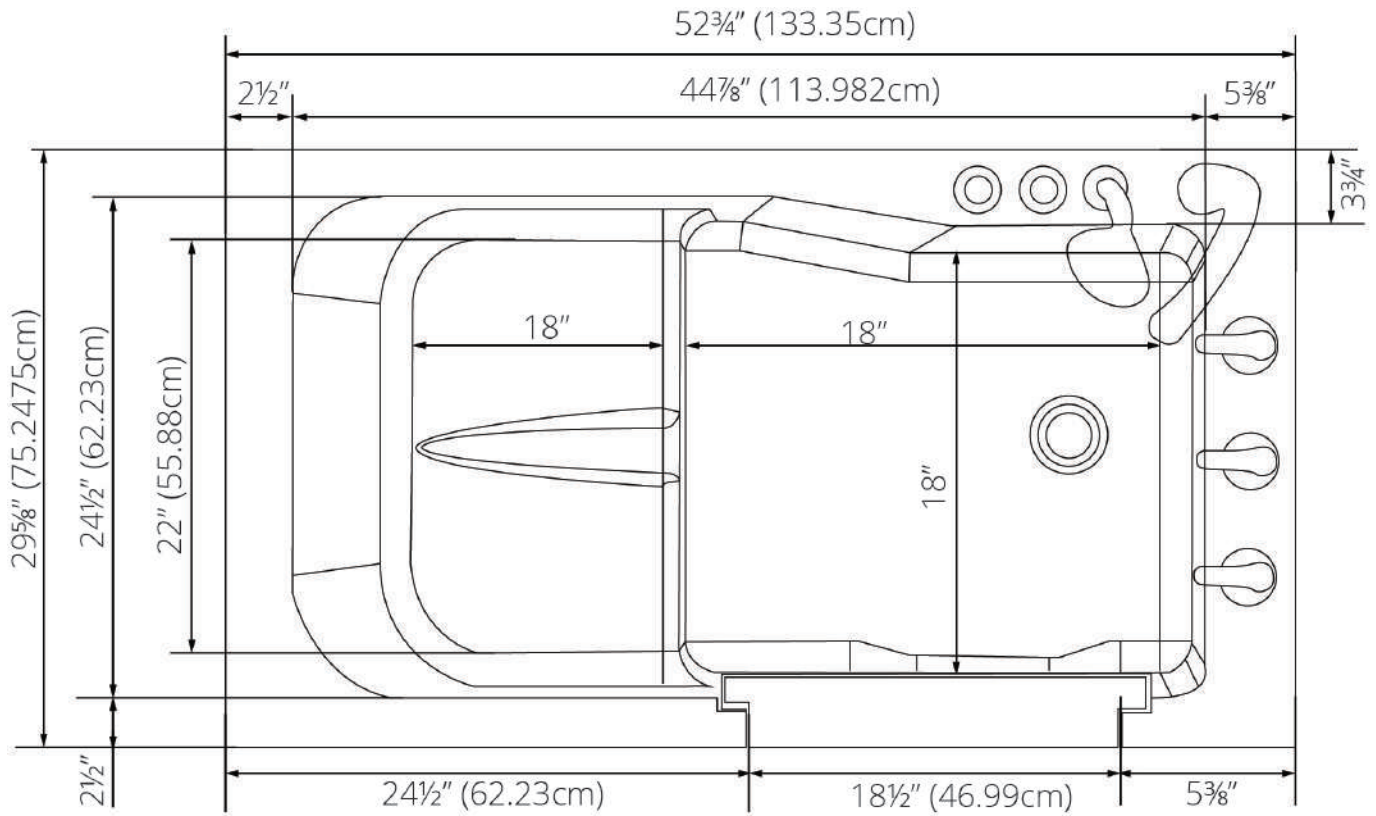
One (1) dedicated 110/120V 60HZ electrical line with a 20AMP/120V GFCI standard three prong outlet is required

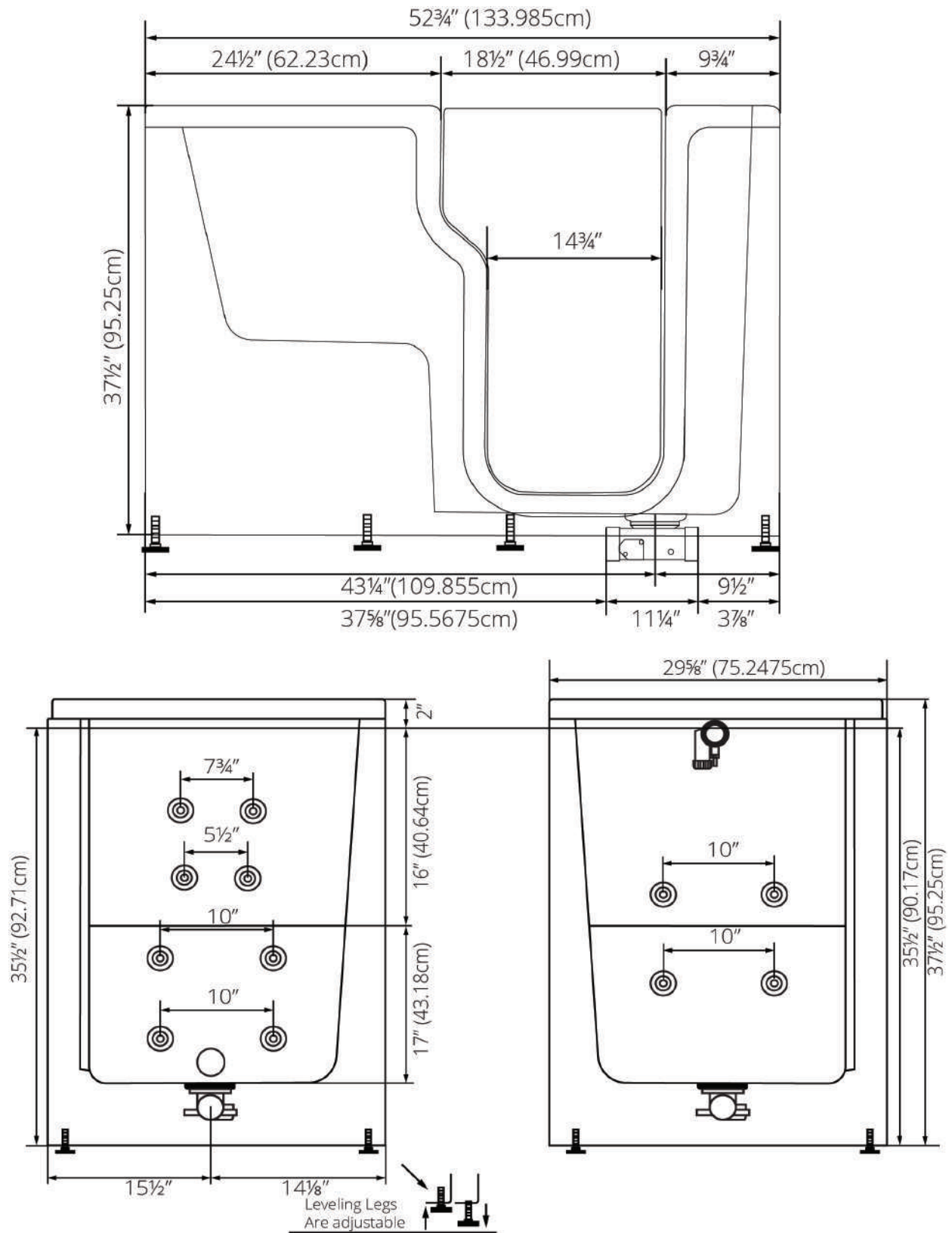
Floor Drains

One (1) 2" PVC Drain and one (1) overflow and emergency pull-up chain

Warranty

- Lifetime limited* warranty on shell, frame, door and parts to original purchaser
- Labor or installation is not covered – please refer to Ella warranty certificate
- Non-Ella brand faucets covered under manufacturers original warranty





Two 3/4" connector water supply lines included with Ella Fast Fill Faucets
Connect to Shut Off Valves (not included)



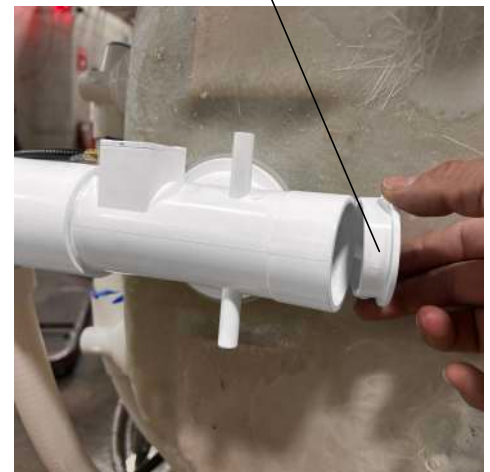
All electrical fixtures connect to a dedicated GFCI protected outlet or GFCI protected Circuit Breaker.



Images below show examples of PVC pipe connections (not included). Reducers can be used to connect smaller drain pipes.

T-Type four (4) 2" drain ports allow for the drain pipe to be installed in either direction.

Drain Caps Installed On Either Side Of The Drain unused Port.



Description

Solid brass spout in a chrome finish with a 5-setting pull out hand shower mixer with back-flow prevention valve this includes a 5' braided hose.

Two 3/4" 5' braided stainless-steel supply lines are included along with Cold/Hot levers with a diverter for the hand mixer.

Flow

- Hand shower is limited to 1.9 GPM (7.5L/min)
- Faucet fill rate designed for 18 GPM (68.1L/min)

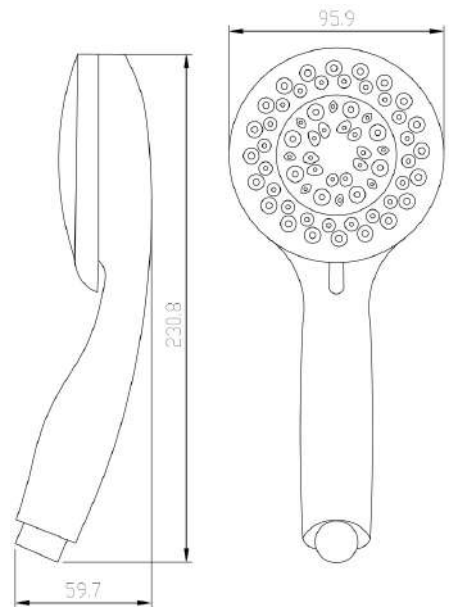
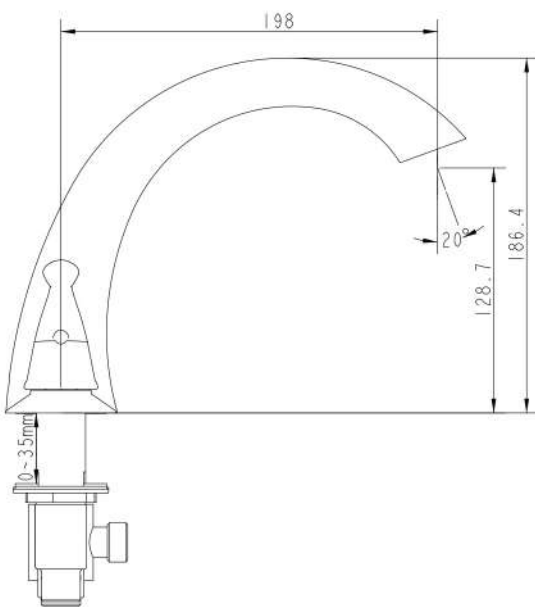
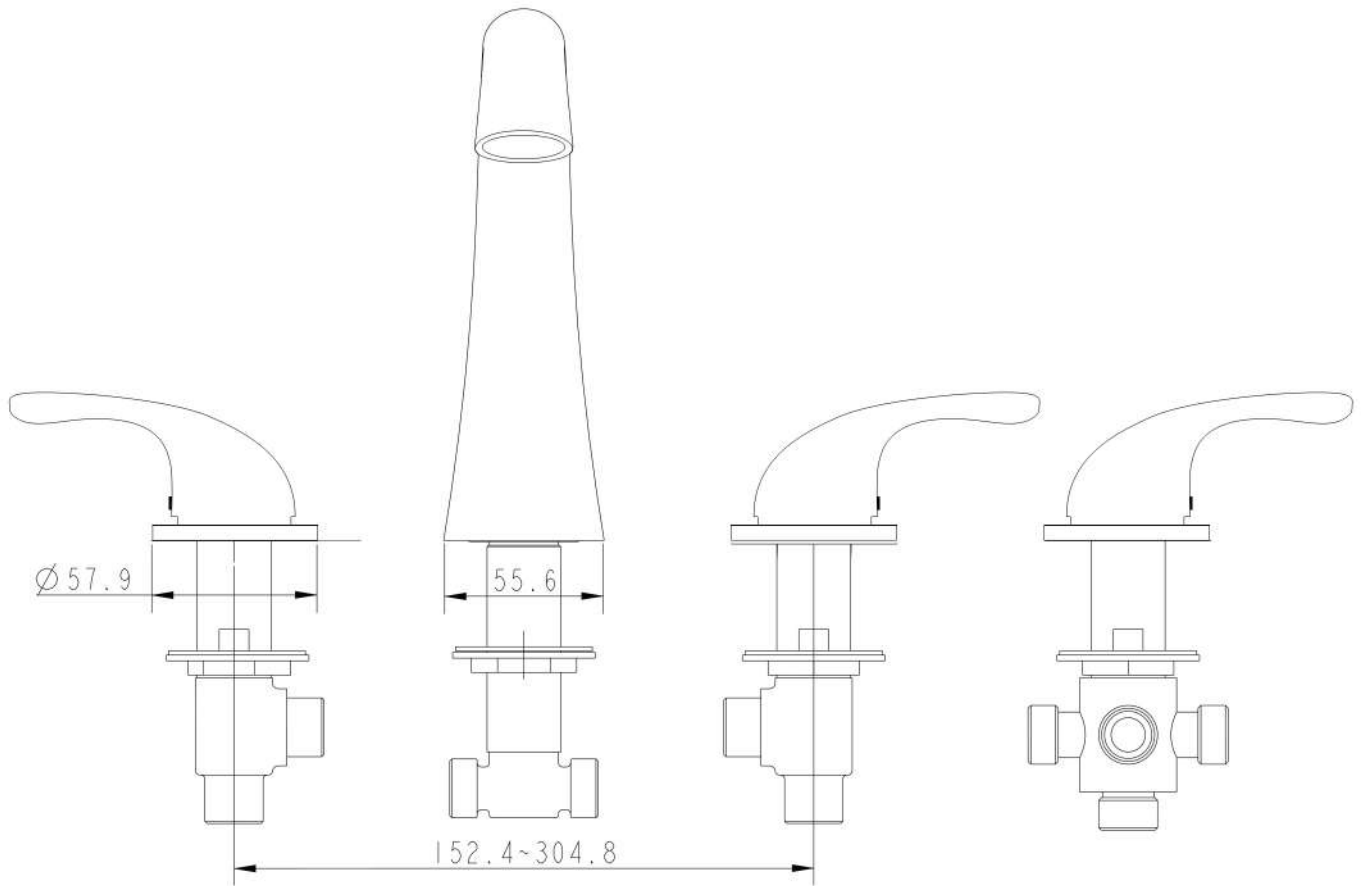
Cartridge

- 40mm high flow cartridge design
- Nonmetallic/nonferrous and stainless-steel material

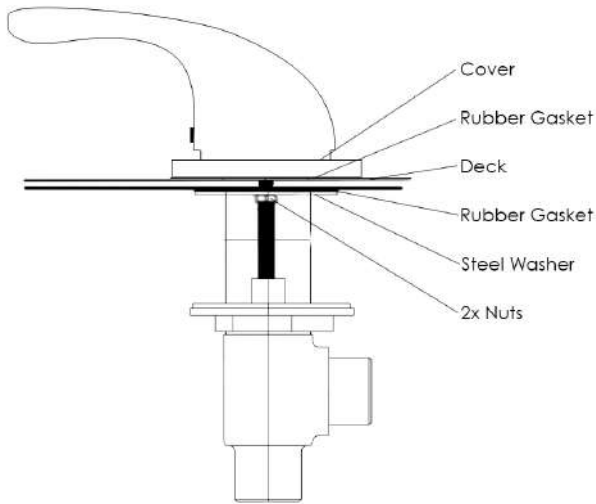


Ella 5 Piece Fast-Fill Faucet Contents

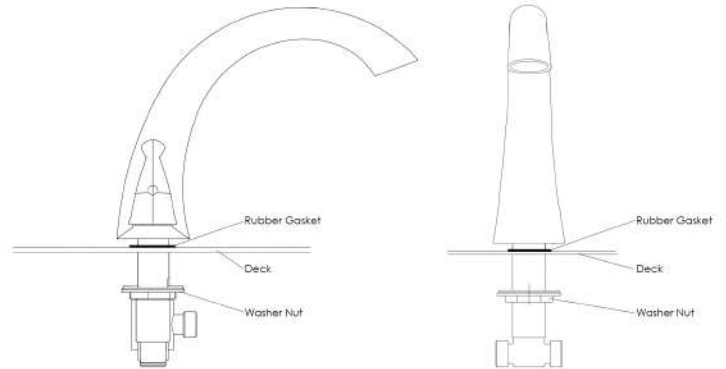




Step-by-step Instructions to install an Ella 5-piece faucet.



1. Unscrew the 2 nuts securing the steel washer and rubber gasket. In this order, remove the steel washer and rubber gasket, place your lever on the deck, replace the rubber gasket and the steel washer. Firmly secure the 2 nuts to hold the fixture in place.



2. Unscrew the washer nut and place the rubber gasket and spout above the deck. After, secure the washer nut from underneath the deck.

3. Remove the plastic nut and insert your hand mixer and hose into your deck opening. Re-secure the plastic nut underneath the deck to hold the hand mixer and housing firmly in place.

4. Connect the supply lines provided with your Ella 2-Piece Fast Fill Faucet to their respective hot and cold connections.

